

SERVICE TOOLS

for all



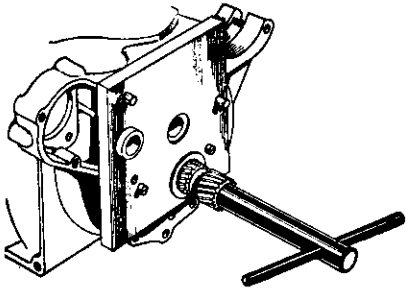
MOTOR CYCLES

1946 to 1958 Inclusive

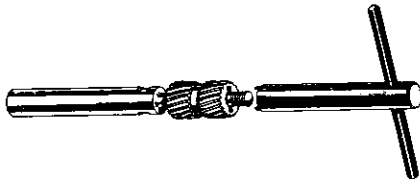
**Use in conjunction with
Service Sheet No. 711A**

For Details of Models and Prices.

BSA SERVICE SHEET No.711



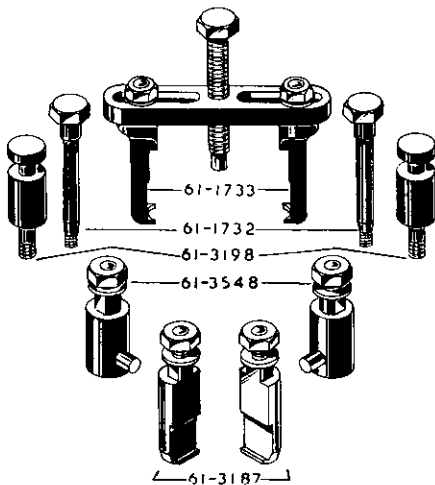
- 61-3281 Reaming Jig (mainshaft and camshaft gear bushes)
- 61-3275 Reaming Jig (mainshaft and camshaft gear bushes)



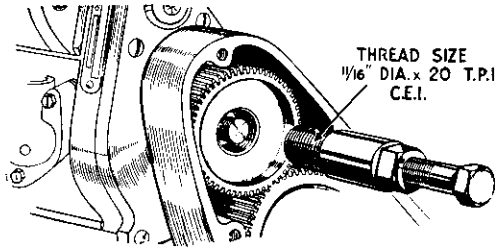
- 61-3284 Mainshaft Bush Reamer
- 61-3285 Pilot for Jigs 61-3275
- 61-3286 Pilot for Jigs 61-3281
- 61-3287 Shell Reamer Holder
- 61-3289 Tommy Bar for 61-3287



- 61-3167 Reamer for use with 61-3162, 61-3281 and 61-3275



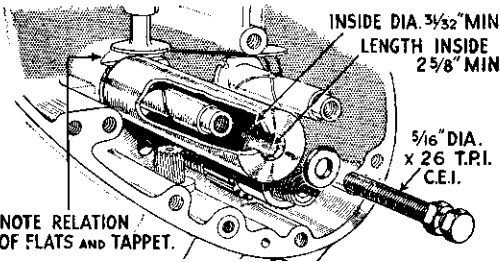
- 61-3256 Extractor Set Complete



- 61-1903 Magdyno Driving Pinion Extractor Tool complete.

For Models fitted with Magdyno Lighting Equipment.

THREAD SIZE
1/16" DIA. x 20 T.P.I.
C.E.I.

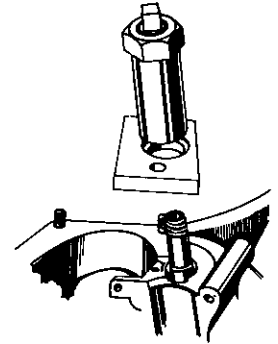


NOTE RELATION
OF FLATS AND TAPPET.

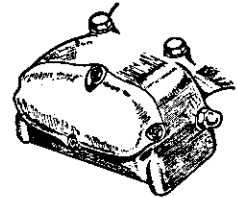
- 61-691 Cam Pinion Post Extractor

INSIDE DIA. 3/32" MIN.
LENGTH INSIDE
2 5/8" MIN.

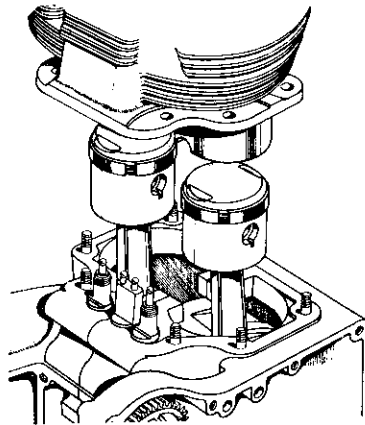
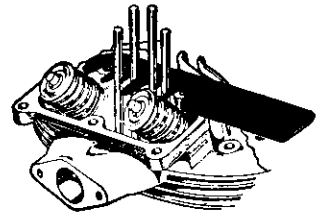
5/16" DIA.
x 26 T.P.I.
C.E.I.



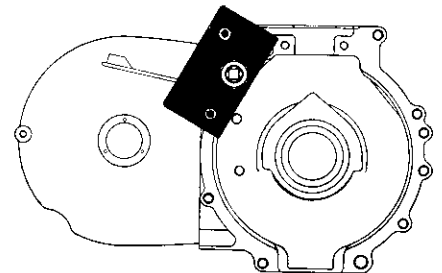
- 61-3069 Inlet Tappet Guide Extractor



- 67-9114 Push Rod Assembly Tool

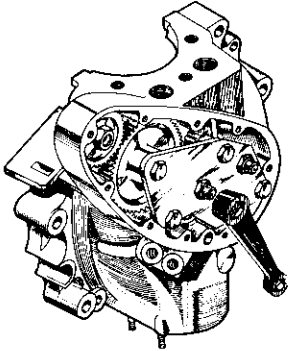


- 61-3061 Piston Ring Slipper,
- 61-3334 Piston Ring Slipper,
- 61-3262 Piston Ring Slipper,
(2 per set)

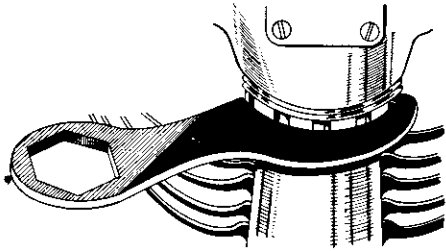


- 61-3159 Camshaft Bush Extractor

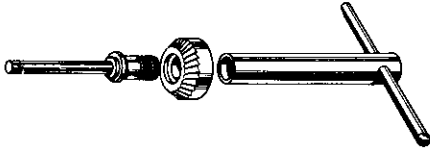
B.S.A. SERVICE SHEET No. 711—continued



15-832 Mainshaft Nut Spanner



65-9243 C Spanner and Fork Top Nut Spanner



61-3305 Valve Seating Tool complete

Comprising Tommy Bar 61-3291
Holder 61-3290

Cutters

61-3298	..	1 $\frac{1}{8}$ "	× 45° × 20°
61-3299	..	1 $\frac{1}{2}$ "	× 45° × 20°
61-3300	..	1 $\frac{1}{2}$ "	× 45° × 20°
61-3301	..	1 $\frac{1}{2}$ "	× 45° × 20°
61-3302	..	1 $\frac{1}{4}$ "	× 45° × 20°

Pilots

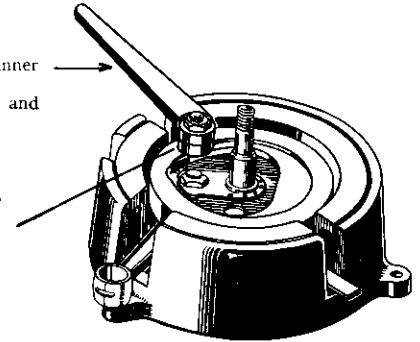
61-3293	..	$\frac{1}{8}$ "
61-3294	..	.350"
61-3295	..	$\frac{1}{4}$ "



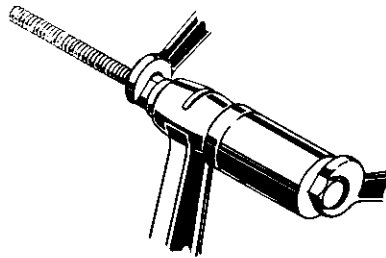
65-9240 Valve Grinding Tool

61-1817 Crankpin Nut Spanner
Tool comprises Holder, Locknut and
three Sockets

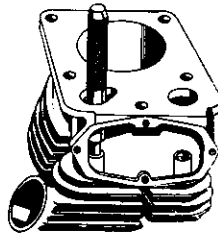
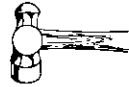
Sockets
for 61-1817
61-1754
61-1755
61-3228



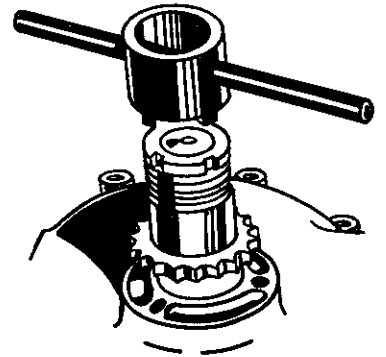
61-1751 Flywheel Bolster
61-1750 Gauge Rod
61-1747 Ring
61-1749 "



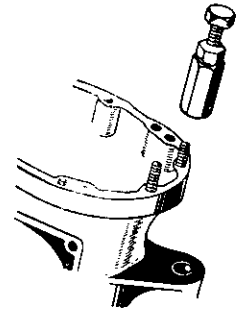
61-658 Gudgeon Pin Bush Extractor comprising Spindle with various size bushes.



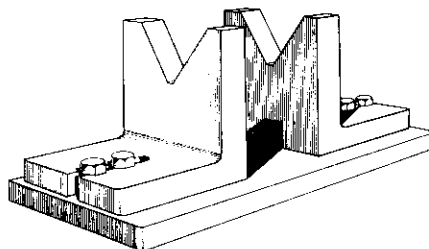
61-3263 61-3264 61-3265 61-3267 61-3268
Valve Guide fitting and extracting punches



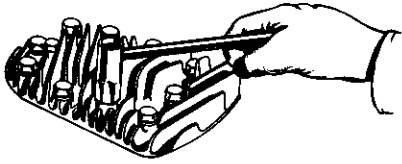
61-3220 Cush Drive Nut Tube Spanner



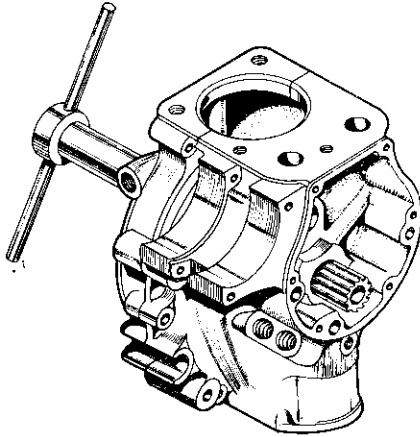
61-699 $\frac{1}{4}$ " C.E.I. Stud Boxes
61-317 $\frac{1}{8}$ " " " "
61-545 $\frac{3}{8}$ " " " "



61-692 Vee Block and Base Plate

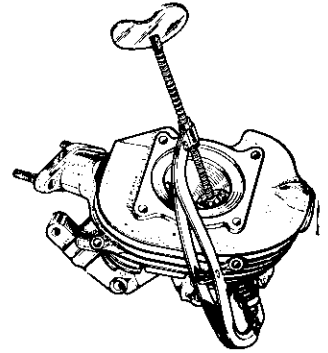


61-3049 Cylinder Head Spanner

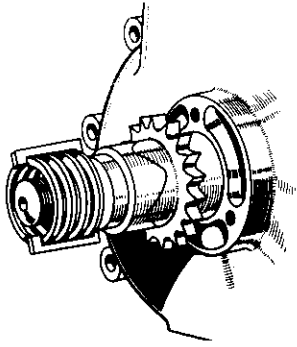


61-1932 Reamer and Holder complete (mainshaft bush)

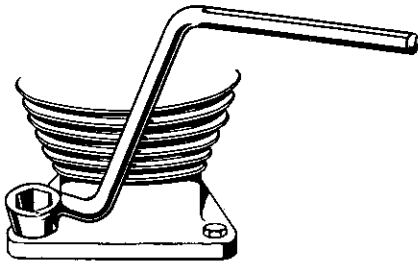
61-1922 Reamer for 61-1932



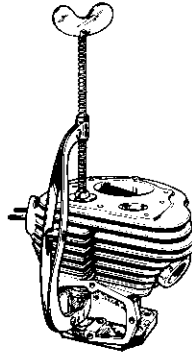
61-3340 Valve Spring Compressor with Adaptor Models M33 "B" Group, "A" Group, and Sunbeam



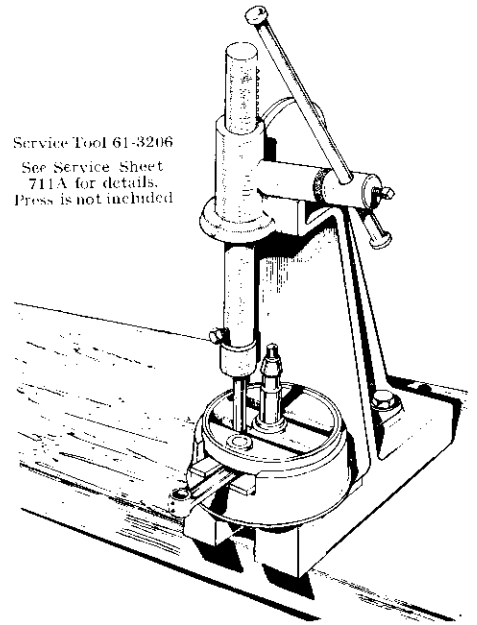
61-1822 Cush Drive Spring Assembly Tool
For holding Spring compressed whilst fitting Lockring.
(2 per set)



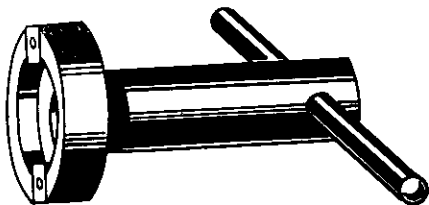
61-3052 Cylinder Base Nut Spanner



61-3340 Valve Spring Compressor Models C10, C11, M20, M21 (Use without adaptor)

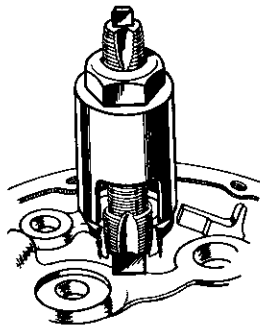


Service Tool 61-3206
See Service Sheet 711A for details.
Press is not included

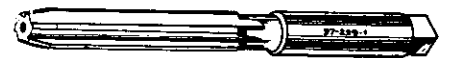


61-3257 Gearbox Sprocket Locknut Spanner,

61-3258 Gearbox Sprocket Locknut Spanner,



61-3185 Bush Extractor



61-3246 Gudgeon Pin Bush Reamer (.4687")

61-3367 Gudgeon Pin Bush Reamer (.625")

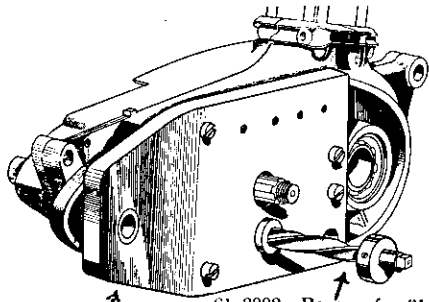
61-3556 Gudgeon Pin Bush Reamer (.6875")

61-3366 Gudgeon Pin Bush Reamer (.750")

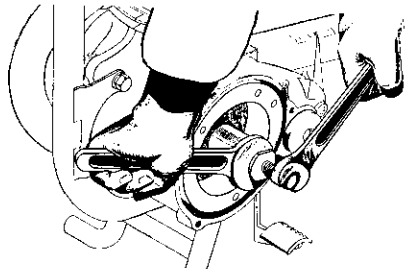
61-3580 Gudgeon Pin Bush Reamer (.4375")

61-3581 Gudgeon Pin Bush Reamer (.5625")

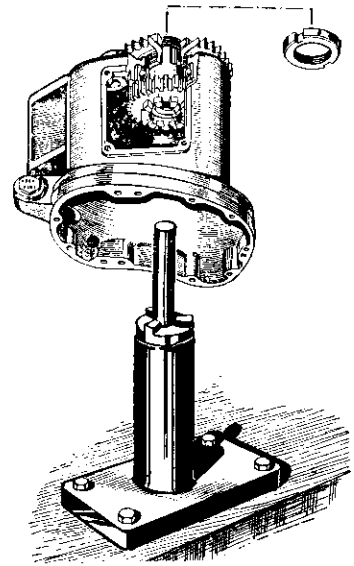
B.S.A. SERVICE SHEET No. 711—continued



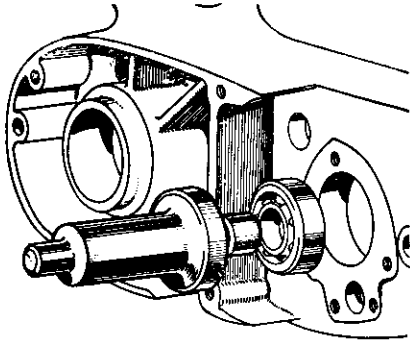
61-3308 Reamer for 61-3199
Service Tool 61-3199. Line Reaming the Gearbox Bushes



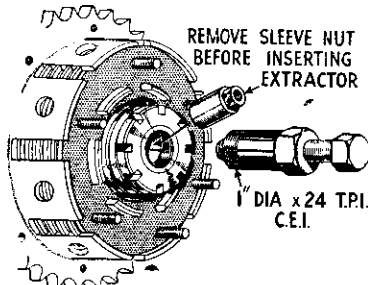
61-3188 Generator Flywheel Removal Tool (Wico Pacy)
90-297 Generator Flywheel Removal Tool (Lucas)



61-3064 Pinion Sleeve Extractor



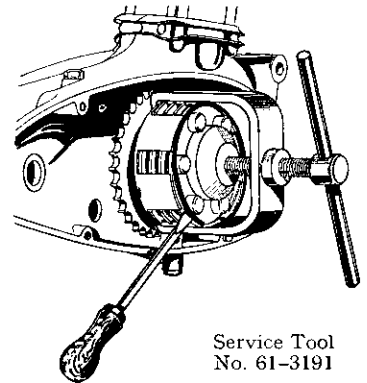
61-3214 Ballrace Pilot (gearbox pinion bearing)
61-3215 Ballrace Pilot (gearbox mainshaft bearing)



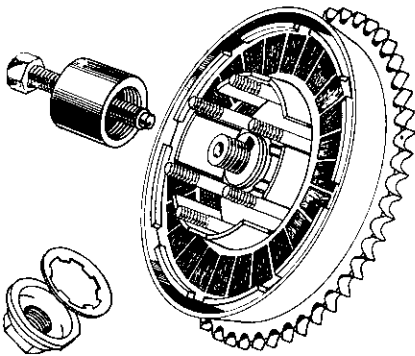
61-1912 Clutch Extractor Tool

REMOVE SLEEVE NUT
BEFORE INSERTING
EXTRACTOR

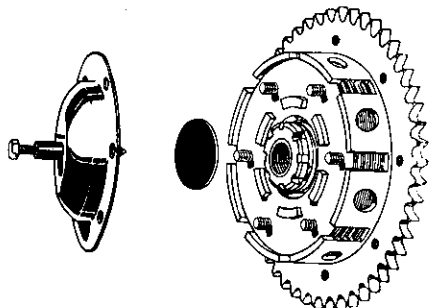
1" DIA x 24 T.P.I.
C.E.I.



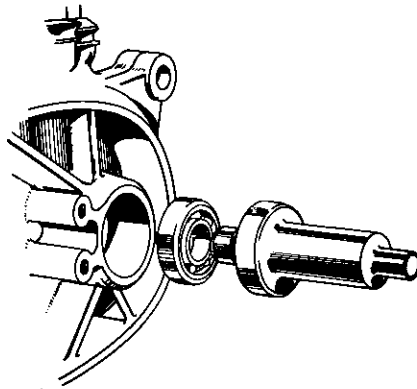
Service Tool
No. 61-3191
Removing the Clutch Plate Circlip



61-3362 Clutch Extractor Tool

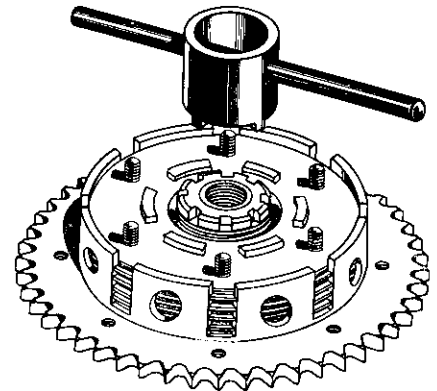


61-3055 Clutch Testing Tool



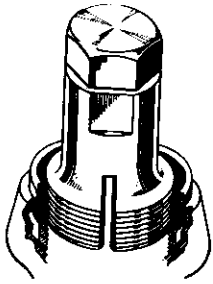
61-3212 Ballrace Pilot for large engine bearing

61-3213 Ballrace Pilot for small engine bearing



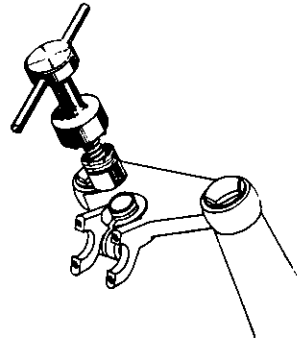
61-1915 Clutch Spring Nut Tube Spanner.

B.S.A. SERVICE SHEET No. 711—continued

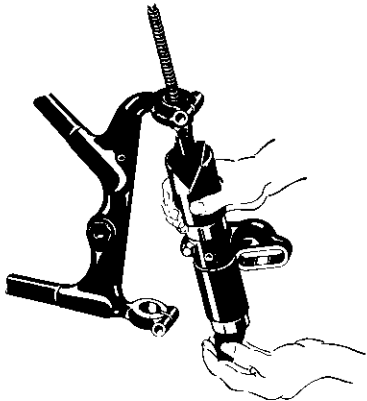


61-3060 Ballrace Extractor (steering head)
for all $\frac{7}{8}$ " balls

61-3063 Ballrace Extractor (steering head)
for all $\frac{1}{2}$ " balls



61-3002 Assembly Tool for Adjuster Sleeve
61-3008 Assembly Tool for Adjuster Sleeve



61-3222 Rear Suspension Strip and Assembly Tool

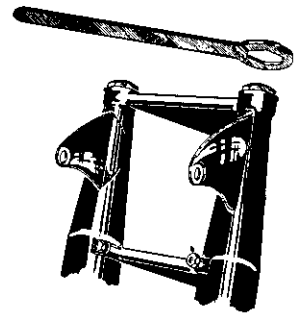


61-3006 Oil Seal Extractor

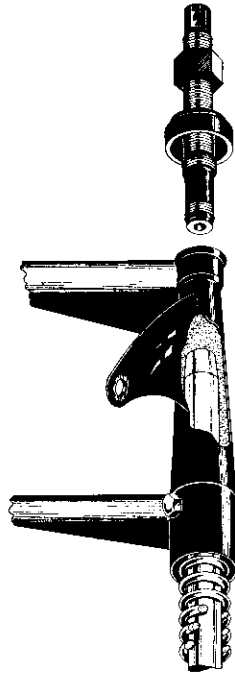
61-3007 Oil Seal Assembly Tool



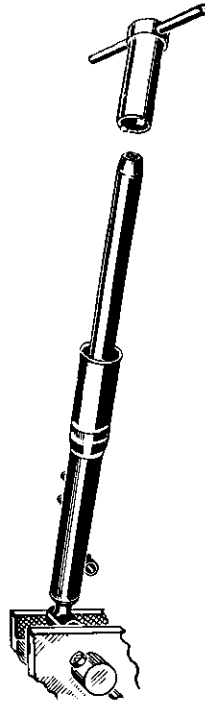
61-3003 Spanner for Fork Plug Assembly



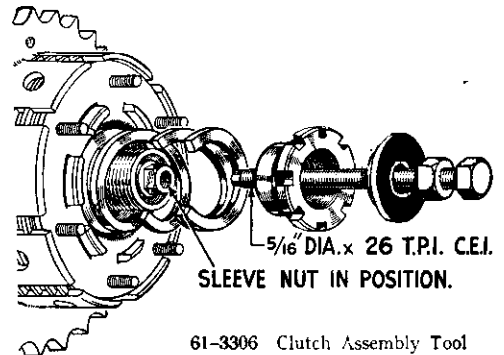
61-3001 Spanner for Fork Top Nut Assembly



61-3350 Fork Shaft Dismantling and Assembly Tool

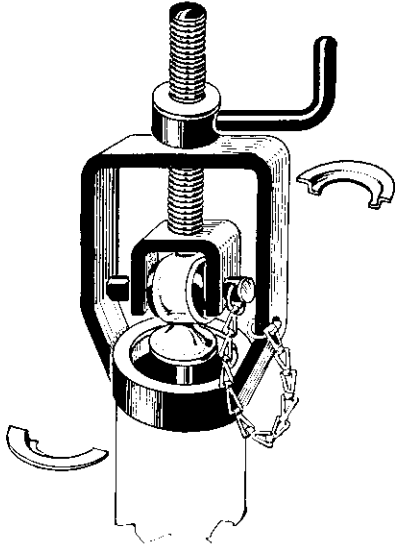


61-3005 Assembly Tool for Oil Seal Holder

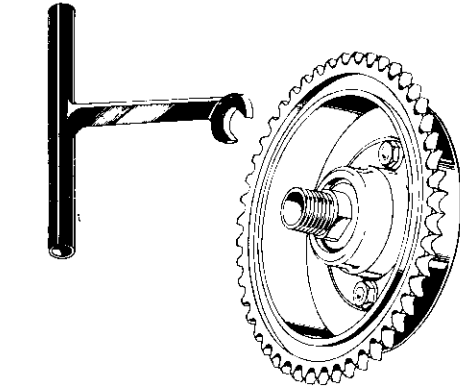


61-3306 Clutch Assembly Tool

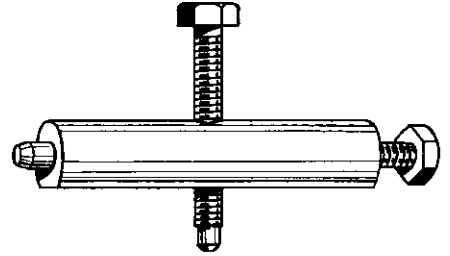
B.S.A. SERVICE SHEET No. 711—continued



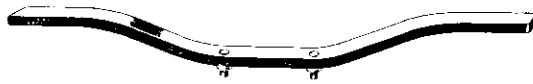
61-3503
Rear Suspension
Dismantling Tool



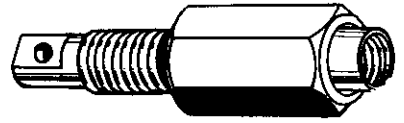
61-3217 Spanner for rear chain sprocket



61-3540 Flywheel Removal Tool



61-3542 Wheel Bearing Nut Peg Spanner



61-3536 Flywheel Assembly Tool

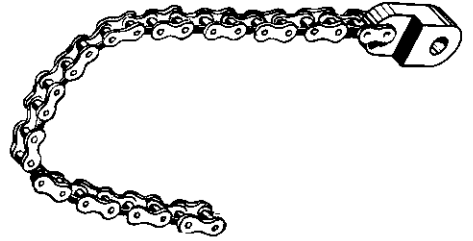


61-705 Spoke Nipple Key (10 and 12 gauge)

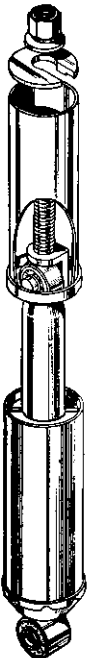
61-773 Spoke Nipple Key (8 and 10 gauge)



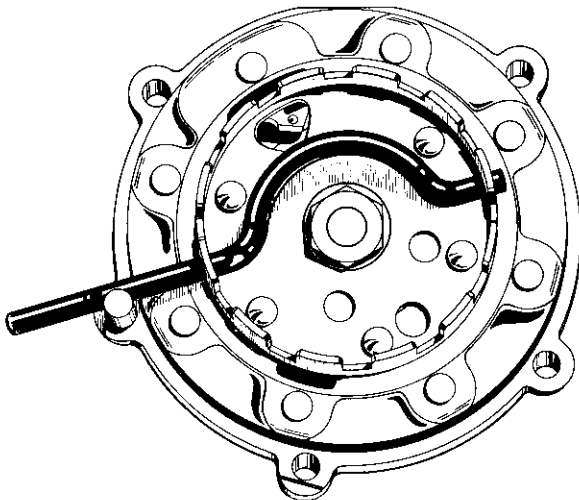
61-3552 Starter Ratchet Circlip
Assembly Tool



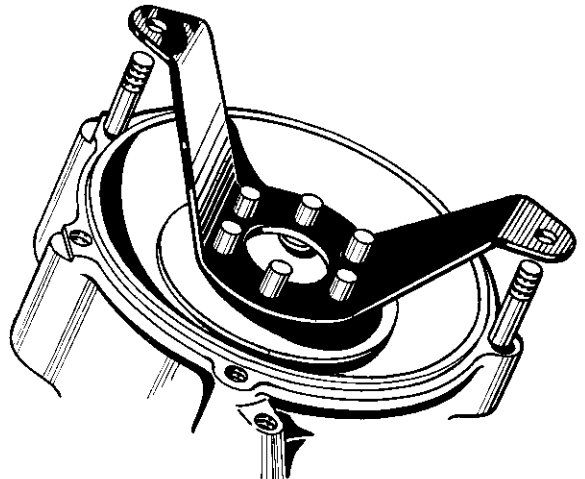
61-3554 Gearbox Sprocket Locking Tool



61-3513
Rear Suspension
Dismantling Tool

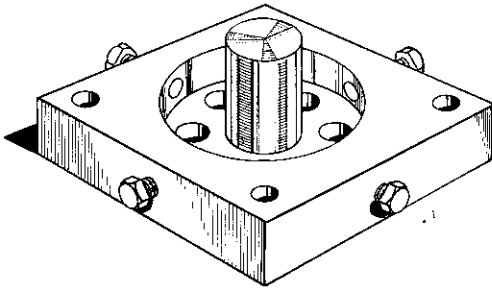


61-3551 Flywheel Locking Tool

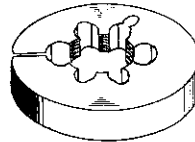


61-3553 Clutch Back Plate Locking Tool

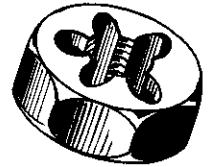
B.S.A. SERVICE SHEET No. 711—continued



61-3499 Bench Die Holder



61-3483 Die



Die Nut



Tap

Part No.	Description	For
61-3574	Tap and Die Set in wooden case comprising tools listed below except 61-3483	General Workshop use
61-3575	Tap and Die Set in wooden case comprising all tools listed below	General Workshop use

TAPS.

Part No.	Taps.	For
61-3461	7/16" x 19 TPI B.S.P.	Petrol Tap Hole.
61-3462	7/16" x 20 TPI B.S.F.	Sunbeam Dynamo.
61-3463	7/16" x 20 TPI C.E.I.	General.
61-3464	7/16" x 20 TPI C.E.I.	General.
61-3502	9/16" x 20 TPI C.E.I.	General.
61-3465	9/16" x 20 TPI C.E.I.	Front Fork Spindle Hole.
61-3466	9/16" x 20 TPI C.E.I.	General.
61-3467	9/16" x 20 TPI C.E.I.	General.
65-3468	9/16" x 20 TPI B.S.W.	General.
61-3469	1 1/8" x 12 TPI B.S.F.	Sunbeam Rear Spindle Hole.
61-3470	1 1/8" x 20 TPI B.S.W.	Rear Suspension Shaft.
61-3471	1-1/16" x 20 TPI C.E.I.	Fork Shaft Top.
61-3472	1 1/8" x 28 TPI B.S.W.	Fork Shaft Bottom.
61-3473	1 1/8" x 20 TPI B.S.W.	Filler Caps.
61-3531	14 mm. x 1.25 mm.	14 mm. Spark Plug Hole
61-3533	1.250" x 20 TPI B.S.W.	Bantam Fork Tube (90-5021)

DIES.

Part No.	Dies.	For
61-3474	7/16" x 20 TPI C.E.I.	General.
61-3475	1/2" x 20 TPI C.E.I.	General.
61-3476	9/16" x 20 TPI C.E.I.	Gearbox Mainshaft.
61-3477	9/16" x 20 TPI C.E.I.	"A" Group Mainshaft.
61-3478	1 1/8" x 20 TPI C.E.I.	General.
61-3479	1 1/8" x 20 TPI C.E.I.	General.
61-3480	3/4" x 12 TPI B.S.F.	Sunbeam Rear Spindle.
61-3481	1" x 24 TPI C.E.I.	Fork Stem.
61-3482	1.120" x 24 TPI C.E.I.	Fork Stem.
61-3483	1 1/8" x 28 TPI WHIT.	Fork Sliding Tube Top.
61-3499	Bench Die Holder (for use with 61-3483)	

B.S.A. MOTOR CYCLES LTD.
Service Dept., Birmingham 11
Printed in England

B.S.A. Service Sheet No. 711A

Revised Sept., 1958

PRICE LIST

for

SERVICE TOOLS

1946 to 1958 Inclusive

Use in conjunction with Service Sheet No. 711

Part No.	Description	Used on Model	Retail Price Per Unit	
			£	s. d.
15-832	Rear Hub Nut Spanner	A, B, C and M	4	5
61-317	Stud Box 5/16" c.e.i.	General	3	0
61-545	Stud Box 3/8" c.e.i.	General	3	0
61-658	Gudgeon Pin Bush Extractor	All Models	10	6
61-691	Cam Pinion Post Extractor	B and M	4	6
61-692	Flywheel "X" Blocks (used with 61-1821)	B, C and M	2	5 4
61-696	Socket Nut (used with 61-1817)	B, C and M	1	5
61-698	Crankpin Nut Spanner only (used with 61-1817)	B, C and M	1	1 0
61-699	Stud Box 1/4" c.e.i.	General	3	0
61-705	Nipple Key (10 and 12 gauge)	General	3	10
61-773	Nipple Key (8 and 10 gauge)	General	3	10
61-1747	Flywheel Bolster Ring	C Group	4	1 3
61-1749	Flywheel Bolster Ring	B and M 500 c.e.	4	1 3
61-1750	Flywheel Bolster Gauge Rod (2 per set)	B, C and M	7	7
61-1751	Flywheel Bolster	B, C and M	3	11 9
61-1754	Crankpin Nut Socket (used with 61-1817)	C Group	8	0
61-1755	Crankpin Nut Socket (used with 61-1817)	B and M	8	0
61-1817	Crankpin Nut Spanner complete	B, C and M	2	7 6
<i>Comprising:</i>				
61-696	Socket Nut		1	5
61-698	Spanner		1	1 0
61-1754	Socket	C Group	8	0
61-1755	Socket	B and M	8	0
61-3228	Socket	Gold Star	9	1

SERVICE TOOLS

Part No.	Description	Used on Model	Per Unit Retail Price		
			£	s.	d.
61-1821	"V" Block Base Plate (used with 61-692) ...	B, C and M ...	1	10	3
61-1822	Cush Drive Spring Assembly Tool (2 per set) ...	A, B, C and M ...		4	6
61-1903	Magdyno Drive Pinion Extractor ...	B and M ...		3	0
61-1912	Clutch Extractor ...	M to 1948 ...		6	0
61-1915	Clutch Spring Nut Tube Spanner ...	M to 1948 ...		4	6
61-1922	Reamer (used with 61-1932) (mainshaft bush) ...	C Group ...	3	5	0
61-1932	Reamer and Holder complete (used with 61-1922) ...	C Group ...	4	4	9
61-3001	Fork Top Nut Spanner (front fork) ...	A, B, C and M ...		13	6
61-3002	Adjustor Sleeve Assembly Tool (steering head) ...	B, C and M ...		12	1
61-3003	Fork Plug Spanner (front fork) ...	A, B, C and M ...		13	6
61-3005	Oil Seal Holder Assembly Tool (front fork) ...	A, B, C and M ...	1	1	2
61-3006	Oil Seal Extractor (front fork) ...	A, B, C and M ...		15	1
61-3007	Oil Seal Assembly Tool (front fork) ...	A, B, C and M ...		6	0
61-3008	Adjuster Sleeve Assembly Tool (steering head) ...	A7/10, S7/8 ...		12	1
61-3049	Cylinder Head Spanner ...	M20/21 ...		10	6
61-3052	Cylinder Base Nut Spanner ...	M20/21 ...	1	1	2
61-3055	Clutch Testing Tool ...	M to 1948 ...		15	1
61-3060	Steering Head Ballrace Extractor ...	For 3/16" Balls ...		8	3
61-3061	Piston Ring Slipper (2 per set) ...	A7 to 1950 ...		7	6
61-3063	Steering Head Ballrace Extractor ...	For 1/4" Balls ...		8	3
61-3064	Pinion Sleeve Extractor ...	B, C and M ...	2	11	5
61-3069	Inlet Tappet Guide Extractor ...	A7 to 1950 ...		7	7
61-3159	Camshaft Bush Extractor ...	A7, A10 ...		12	8
61-3167	Camshaft Bush Reamer (used with 61-3275/81) ...	A Group ...	3	0	6
61-3185	Gearbox Bush Extractor ...	M Group ...		15	9
61-3188	Flywheel Magneto Removal Tool (Wico Pacyc) ...	D1, D3 and D5 ...		6	8
61-3191	Clutch Plate Circlip Removal Tool ...	D1, D3 and D5 ...	1	10	3
61-3199	Gearbox Bush Line Reaming Plate (used with 61-3205) ...	D1, D3 and D5 ...	2	1	6
61-3205	Layshaft Bush Reamer only (used with 61-3199) ...	D1, D3 and D5 ...	2	1	11
61-3206	Flywheel Dismantling and Assembly Tool ...	D1, D3 and D5 ...	3	15	6
<i>Comprising:—</i>					
	61-3207	Jig Body			
	61-3208(2)	Dismantling Bar			
	61-3209	Dismantling Punch			
	61-3210	Assembly Bridge			
<i>(Note:—Press as illustrated is not included).</i>					
61-3212	Ballrace Pilot for large engine bearing ...	D1, D3 and D5 ...		7	7
61-3213	Ballrace Pilot for small engine bearing ...	D1, D3 and D5 ...		6	8
61-3214	Ballrace Pilot for gearbox pinion bearing ...	D1, D3 and D5 ...		7	7
61-3215	Ballrace Pilot for gearbox mainshaft bearing ...	D1, D3 and D5 ...		6	8
61-3217	Spanner for rear wheel sprocket ...	A7, A10 ...		11	3
61-3220	Tube Spanner for cush drive nut ...	A, B, C and M ...		3	6
61-3222	Rear Suspension Strip and Assembly Tool ...	A, B and M ...		13	6
61-3228	Crankpin Nut Socket (used with 61-1817) ...	B32/4 G/S ...		9	1
61-3246	Reamer Gudgeon Pin Bush ...	D1, D3 ...		14	6
61-3256	Extractor Set complete ...	All Models ...	1	12	7
<i>Comprising:</i>					
	61-351(1)	Plate			
	61-776(1)	Bolt			
	61-1732(2)	Extractor Leg (A Group cam pinion)			
	61-1733(2)	Extractor Leg (engine pinion B, C and M).			
	61-3187(2)	Extractor Leg (crankshaft pinion A7/10).			
	61-3198(2)	Extractor Leg (engine sprocket etc., D, C and A).			
	61-3548(2)	Extractor Leg (Dandy flywheel) ...			

SERVICE TOOLS

Part No.	Description	Used on Model	Retail Price		
			Per Unit		
			£	s.	d.
61-3257	Gearbox Sprocket Locknut Spanner	A, B and M	15	1	
61-3258	Gearbox Sprocket Locknut Spanner	C	15	1	
61-3262	Piston Ring Slipper (2 per set)	A10	6	0	
61-3263	Valve Guide Punch (used on B33/34, exhaust and G/Stars with .374 dia. valve stems)		3	0	
61-3264	Valve Guide Punch (comprising 61-3265/66 and 61-3307)	C10 In. and Ex.	12	8	
61-3265	Valve Guide Punch (B31/32 inlet, A7/10, C11, C12 inlet and exhaust and G/Stars with .310" dia. valve stems)		6	0	
61-3267	Valve Guide Punch (comprising 61-3268/9/70)	M20, M21 In. and Ex.	8	3	
61-3268	Valve Guide Punch (B31/32 exhaust, B33/34 inlet and G/Stars with .348" dia. valve stems)		6	0	
61-3275	Mainshaft and Camshaft Bush Reaming Jig	A7 to 1950	2	12	11
61-3281	Mainshaft and Camshaft Bush Reaming Jig	A10, AA7 onwards	2	12	11
61-3284	Reamer (mainshaft used with 61-3275/81)	A7, A10	4	6	2
61-3285	Pilot for 61-3275	A7 to 1950	15	1	
61-3286	Pilot for 61-3281	A10, AA7 onwards	15	1	
61-3287	Reamer Holder (used with 61-3284)	A7, A10	9	1	
61-3290	Valve Seat Cutter Holder	A, B, C and M	5	3	
61-3293	Valve Seat Cutter Pilot ($\frac{5}{16}$ ")	A, B and C	6	8	
61-3294	Valve Seat Cutter Pilot (.350")	B and M	6	8	
61-3295	Valve Seat Cutter Pilot (.375")	B, and M33	6	8	
61-3298	Valve Seat Cutter ($1\frac{1}{16}$ " dia x 45° x 20°)	A7 and C	2	6	2
61-3299	Valve Seat Cutter ($1\frac{1}{8}$ " dia. x 45° x 20°)	A10 and C	2	6	2
61-3300	Valve Seat Cutter ($1\frac{3}{8}$ " dia. x 45° x 20°)	B	2	6	2
61-3301	Valve Seat Cutter ($1\frac{1}{4}$ " dia. x 45° x 20°)	B and M	2	6	2
61-3302	Valve Seat Cutter ($1\frac{3}{8}$ " dia. x 45° x 20°)	B and M	2	6	2
61-3305	Valve Seating Tool complete	A, B, C and M	12	16	2
61-3306	Clutch Assembly Tool	M to 1948	3	0	
61-3308	Reamer for 61-3199 (comprising 61-3205 and 61-3309)	D1, and D3	2	8	1
61-3311	Crankshaft Balance Weight (18 ozs., 12 drms.)	A7 1951 onwards	15	1	
61-3312	Crankshaft Balance Weight (16 ozs., 14 drms.)	A7 to 1951	15	1	
61-3334	Piston Ring Slipper (2 per set)	A7 1951 onwards	6	0	
61-3340	Valve Spring Compressor complete	A, B, C and M	1	1	2
61-3350	Front Fork Dismantling and Assembly Tool	A, B, C, M and S7/8	15	1	
61-3362	Clutch Extractor Tool	A, B, C and M 1949 onwards	6	8	
61-3366	Gudgeon Pin Bush Reamer (.750")	B, M and A10	1	1	10
61-3367	Gudgeon Pin Bush Reamer (.625")	C only	1	2	8
61-3487	Valve Guide Assembly Punch	S7 and S8	15	1	
61-3497	Crankshaft Balance Weight (19 ozs. 8 drms.)	A10R/R and S/R	2	13	9
61-3499	Bench Die Holder (used with 61-3483)	A, B, C and M	2	18	6
61-3503	Rear Suspension Dismantling Tool	A and B S/A	1	17	10
61-3513	Rear Suspension Dismantling Tool	C12 and D3 S/A	1	14	4
61-3536	Flywheel Assembly Tool	Dandy	5	6	
61-3540	Flywheel Removal Tool	Dandy	6	3	
61-3542	Wheel Bearing Nut Peg Spanner	A and B, S/A	10	4	
61-3548	Flywheel Removal Tool (2) (used with 61-3256)	Dandy	4	7	
61-3551	Flywheel Locking Tool	Dandy	1	2	
61-3552	Starter Ratchet Circlip Assembly Tool	Dandy	5	3	
61-3553	Clutch Back Plate Locking Tool	Dandy	9	2	
61-3554	Gearbox Sprocket Locking Tool	Dandy	5	5	
61-3556	Gudgeon Pin Bush Reamer ($\frac{11}{16}$ ")	A7	1	17	10
61-3558	Locking Ring Spanner	8" Brake	11	10	
61-3580	Gudgeon Pin Bush Reamer ($\frac{7}{16}$ ")	Dandy	1	0	0
61-3581	Gudgeon Pin Bush Reamer ($\frac{9}{16}$ ")	D5	1	6	10
65-9240	Valve Grinding Tool	A, B, C and M	1	10	
65-9243	Combined "C" and Fork Top Nut spanner	A, B, C and M	1	10	
67-9114	Push Rod Assembly Tool	A7/10 1951 onwards	1	5	
90-297	Lucas Rotor Removal Tool	D1	1	3	

BSA SERVICE TOOLS

Part No.	Description	Used on Models	Retail Price
			£ s. d.
61-3574	Tap and Die Set in wood case comprising taps and dies listed below except 61-3483	General	23 15 0
61-3575	Tap and Die Set in wood case comprising taps and dies listed below	General	32 7 0

TAPS

Part No.	Taps	Description	Retail Price
			£ s. d.
61-3461	$\frac{3}{8}$ " x 19 T.P.I. B.S.P. R/H	Petrol Tap Hole	7 7
61-3462	$\frac{3}{8}$ " x 20 T.P.I. B.S.F. L/H	Sunbeam Dynamo	7 7
61-3463	$\frac{1}{16}$ " x 20 T.P.I. C.E.I. R/H	General	13 1
61-3464	$\frac{1}{16}$ " x 20 T.P.I. C.E.I. R/H	General	14 6
61-3502	$\frac{9}{16}$ " x 20 T.P.I. C.E.I. R/H	General	18 7
61-3465	$\frac{9}{16}$ " x 20 T.P.I. C.E.I. L/H	Front Fork Spindle Hole	1 0 0
61-3466	$\frac{9}{16}$ " x 20 T.P.I. C.E.I. R/H	General	17 3
61-3467	$\frac{9}{16}$ " x 20 T.P.I. C.E.I. R/H	General	18 7
61-3468	$\frac{3}{4}$ " x 20 T.P.I. B.S.W. R/H	General	18 7
61-3469	$\frac{3}{4}$ " x 12 T.P.I. B.S.F. L/H	Sunbeam Rear Spindle Hole	1 0 0
61-3470	$\frac{3}{8}$ " x 20 T.P.I. B.S.W. R/H	Rear Suspension Shaft	1 7 6
61-3471	$1\frac{1}{8}$ " x 20 T.P.I. C.E.I. R/H	Fork Shaft Top	1 5 6
61-3472	$1\frac{1}{8}$ " x 28 T.P.I. B.S.W. R/H	Fork Shaft	1 14 4
61-3473	$1\frac{1}{2}$ " x 20 T.P.I. B.S.W. R/H	Filler Cap	2 14 7
61-3531	14 mm. x 1.25 mm. R/H	Spark Plug	1 0 7
61-3533	1.250" x 20 T.P.I. B.S.W. R/H	D1 Fork Tube	1 11 0

DIES

Part No.	Dies	Description	Retail Price
			£ s. d.
61-3474	$\frac{7}{16}$ " x 20 T.P.I. C.E.I. R/H	General	11 0
61-3475	$\frac{1}{2}$ " x 20 T.P.I. C.E.I. R/H	General	12 4
61-3476	$\frac{9}{16}$ " x 20 T.P.I. C.E.I. R/H	Gearbox Mainshaft	13 9
61-3477	$\frac{9}{16}$ " x 20 T.P.I. C.E.I. L/H	A Group Mainshaft	17 3
61-3478	$\frac{5}{8}$ " x 20 T.P.I. C.E.I. R/H	General	13 9
61-3479	$\frac{3}{4}$ " x 20 T.P.I. C.E.I. R/H	General	18 7
61-3480	$\frac{3}{4}$ " x 12 T.P.I. B.S.F. L/H	Sunbeam Rear Spindle	1 2 0
61-3481	1" x 24 T.P.I. C.E.I. R/H	Fork Stem	1 4 1
61-3482	1.120" x 24 T.P.I. C.E.I. R/H	Fork Stem	1 13 9
61-3483	1 $\frac{7}{8}$ " x 28 T.P.I. Whit. R/H	Fork Sliding Tube Top	9 9 1
(Used with holder 61 3499)			