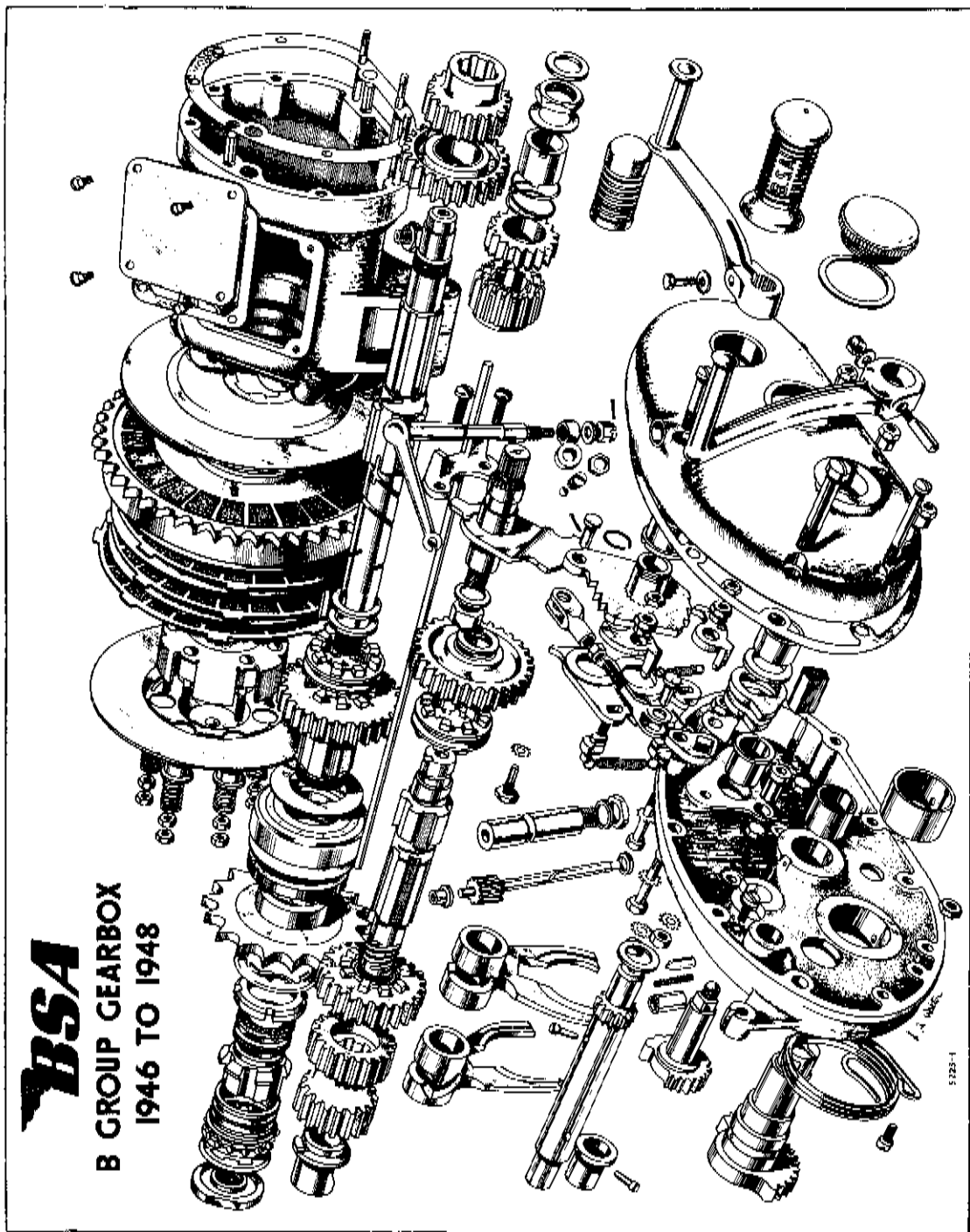


BSA SERVICE SHEET No. 302

Reprinted Jan. 1958

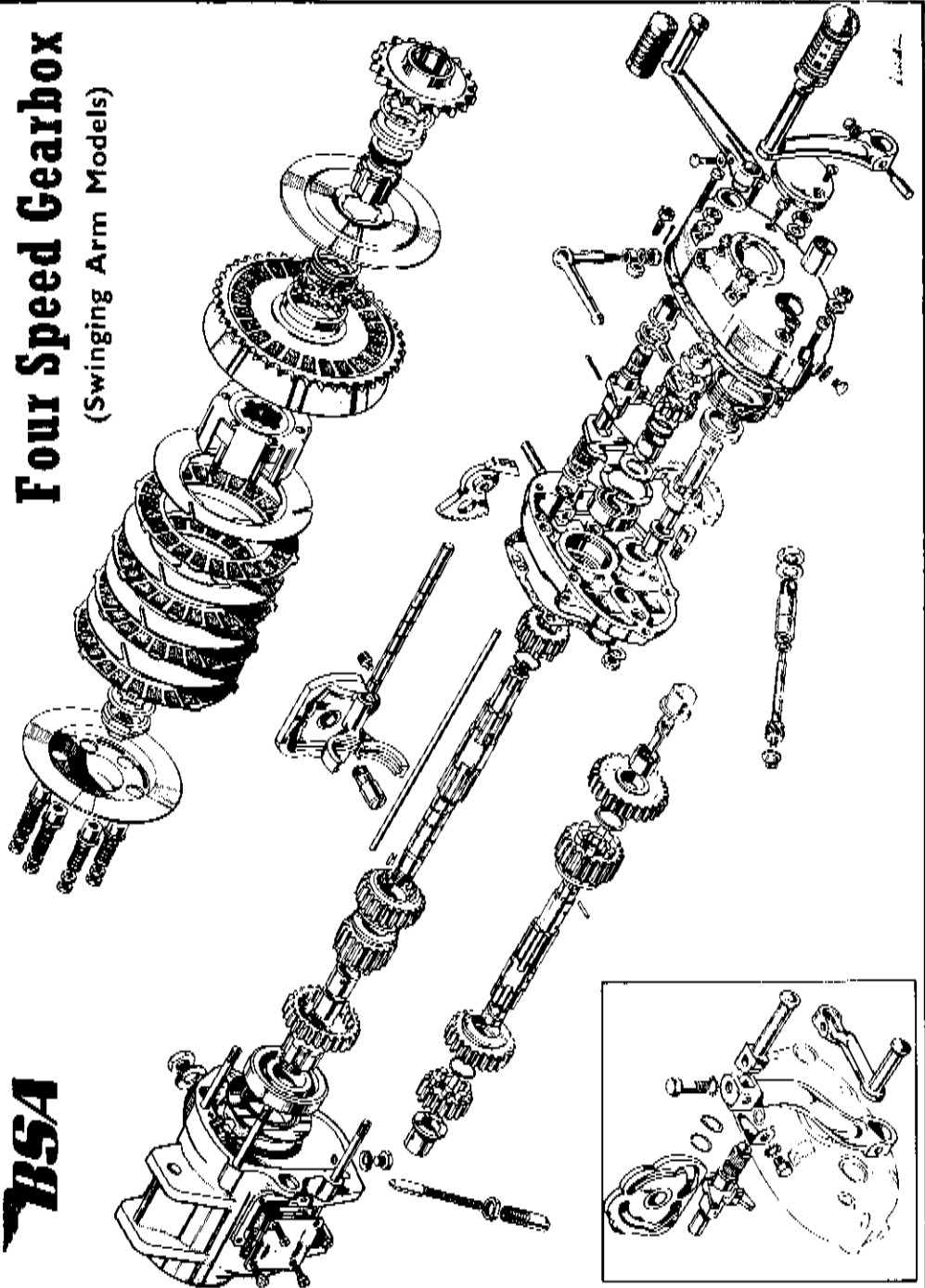


BSA
B GROUP GEARBOX
1946 TO 1948

BSA SERVICE SHEET No. 302A

Reprinted December 1958

Four Speed Gearbox (Swinging Arm Models)



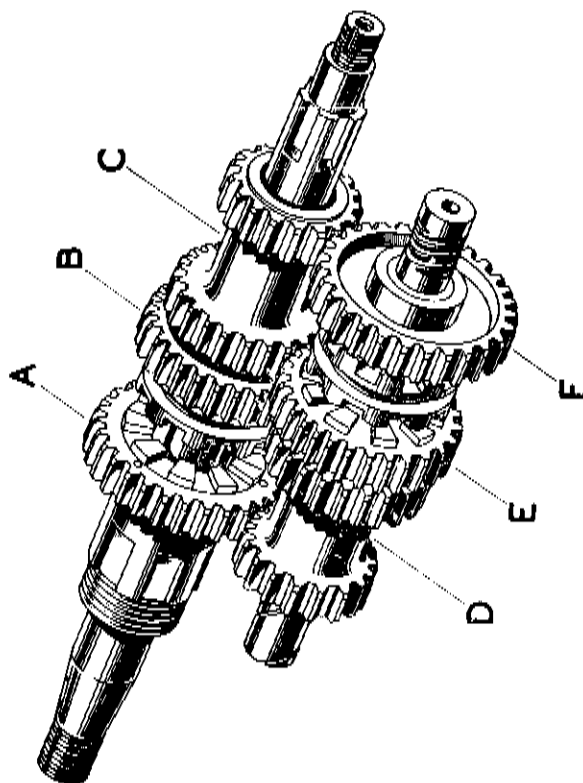
PRINTED IN GREAT BRITAIN BY

SERVICE DEPARTMENT, B.S.A. MOTOR CYCLES, LTD., BIRMINGHAM 11, M.C. 527

GEAR RATIOS B and M GROUP (RIGID and PLUNGER)

MODELS B 32 & B 34		PART No.	No. of TEETH
MEDIUM	A	15-4185	23
	B	46-3172	25
CLOSE	C	65-1015	18 & 22
	D	74-420	17 & 20
	E	65-1037	21
F	65-1038	27	
	52	85+	
NOTE:			
ENGINE SPROCKET	Part No.	15-1584	15-1507
GEAR BOX SPROCKET	Part No.	65-1524	65-3004
Gear Ratio	Top	7.06	6.51
	Third	9.1	8.74
	Second	12.15	11.4
	First	17.44	15.37

STANDARD (TRIALS)		A	B	C	D	E	F
Part No.	15-1584	15-4186	65-3215	34-421	24-427	34-3215	64-3009
No. of TEETH	23	25	27 & 18	20 & 17	20 & 17	25	29
NOTE:		M2, M2.5 Car ¹					
ENGINE SPROCKET	Part No.	15-1585	15-1584	15-1584	15-1584	15-1584	15-1587
	No. of Teeth	23	20	18	20	16	17
GEARBOX SPROCKET	Part No.	65-1524	65-1524	65-1523	65-1520	65-3000	65-3000
	No. of Teeth	15	16	19	19	9	13
Gear Ratio	Top	5.6	5.84	5.26	4.72	5.94	5.39
	Third	7.38	7.44	5.85	5.25	7.81	7.37
	Second	11.5	11.55	9.02	8.17	12.1	11.5
	First	16.7	16.8	12.8	14.15	17.7	16.72



MODELS B 32 & B 34		PART No.	No. of TEETH
EXTRA	A	94-3275	16
	B	94-3272	15
CLOSE	C	15-3205	15 & 21
	D	94-3272	16 & 20
NOTE:		322	214
ENGINE SPROCKET	Part No.	15-1584	15-1584
	No. of Teeth	16	20
GEAR BOX SPROCKET	Part No.	15-1523	15-1523
	No. of Teeth	15	19
GEAR RATIOS	Top	5.28	4.75
	Third	5.27	5.17
	Second	6.3	6.22
	First	9.56	8.88